

TECHNICAL CHARACTERISTICS

MATERIAL  
 INSULATOR: NYLON 46  
 FLAMABILITY RATING: UL94-V0  
 COLOR: BEIGE  
 CONTACT MATERIAL: COPPER ALLOY  
 CONTACT TYPE: STAMPED  
 CONTACT PLATING: TIN  
 QUALITY CLASS: 25 MATING CYCLES  
 PITCH: 1.25MM

ENVIRONMENTAL  
 OPERATING TEMPERATURE: -25 UP TO 85°C  
 COMPLIANCE: LEAD FREE AND ROHS

ELECTRICAL  
 CURRENT RATING: 1A  
 WORKING VOLTAGE: 125V AC  
 INSULATOR RESISTANCE: >100 MOHM  
 DIELECTRIC WITHSTANDING VOLTAGE: 250V AC/MN  
 CONTACT RESISTANCE: 20 mOHM MAX

STANDARD  
 CERTIFIED: E323964 / MODEL NUMBER 653-1318

SOLDERING  
 REFLOW PROCESS

PACKAGING  
 TAPE AND REEL

DIMENSION  
 A = 1.25 x (NB PIN - 1)  
 B = 1.25 x (NB PIN + 1) + 3.5  
 C = 1.25 x (NB PIN + 1) + 0.5

A

B

C

RoHS Compliant	
G	
F	
E	
D	
C	17-NOV-09
B	25-MAY-09
A	11-JUN-08
REV	DATE

PCB LAYOUT - COMPONENT VIEW	
STANDARD	JP
PACKAGING	JC
PDF	CH
FILE	BY

PROJECTION:	GENERAL TOLERANCE
	.X = +/- 0.2
APPROVAL: RJ	.XX = +/- 0.15
	UNIT: MM
	SCALE:
	SHEET: 1/2
	DRAW: ANDY

DESCRIPTION: 1.25 SMT MALE HORIZONTAL SHROUDED HEADER
WERI PART NO: 653 1xx 131 822

SIZE
<b>A4</b>

D

1

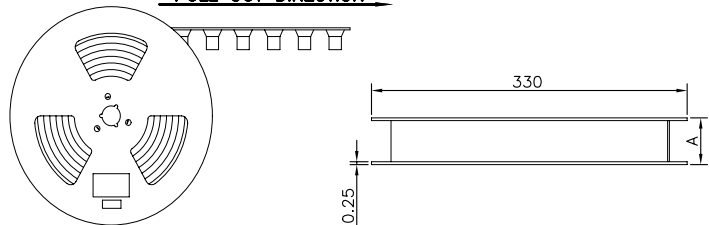
2

3

4

5

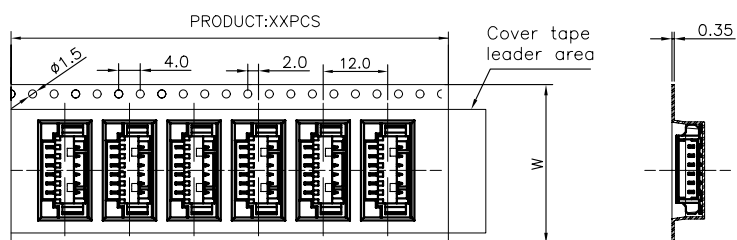
PULL OUT DIRECTION



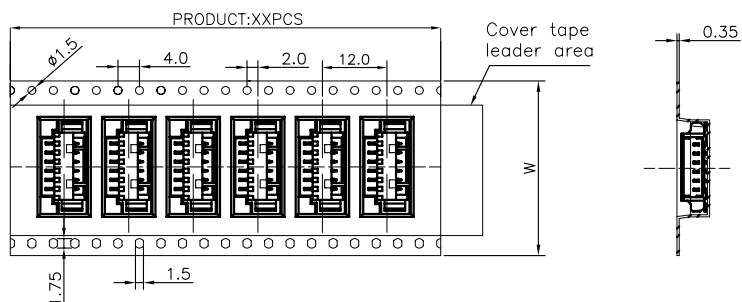
Note:

1. Material : Black Conductive Polystyrene Alloy  
100% recyclable.
2. Thickness :  $0.35 \pm 0.05$ mm
3. Component load per 13" reel : 1500 pcs.
4. CARTON SIZE: 350\*350\*296(MM)

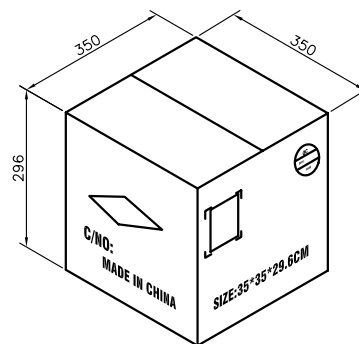
Pin No	W	A	PCS/R	R/CTN	Q'TY
02	24	29	1500	7	10500
03	24	29	1500	7	10500
04	24	29	1500	7	10500
05	24	29	1500	7	10500
06	24	29	1500	7	10500
07	24	29	1500	7	10500
08	24	29	1500	7	10500
09	24	29	1500	7	10500
10	32	37	1500	6	9000
11	32	37	1500	6	9000
12	32	37	1500	6	9000
13	32	37	1500	6	9000
14	32	37	1500	6	9000
15	44	49	1500	5	7500




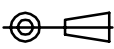
For Reel width (dimension W) 16,24mm ,Single row hole



For Reel width (dimension W) 32,44,56,72mm ,Double rows hole



RoHS Compliant

G				PROJECTION:	GENERAL TOLERANCE		DESCRIPTION: 1.25 SMT MALE HORIZONTAL SHROUDED HEADER WERI PART NO: 6531 xx 131822_TPK	SIZE <b>A4</b>
F					$.X = \pm 0.2$ $.XX = \pm 0.15$			
E				APPROVAL: RJ	UNIT: MM			
D					SCALE:			
C					SHEET: 2/2			
B					DRAW: PEARL			
A								
REV	DATE	FILE	BY					